

623

330

1-9

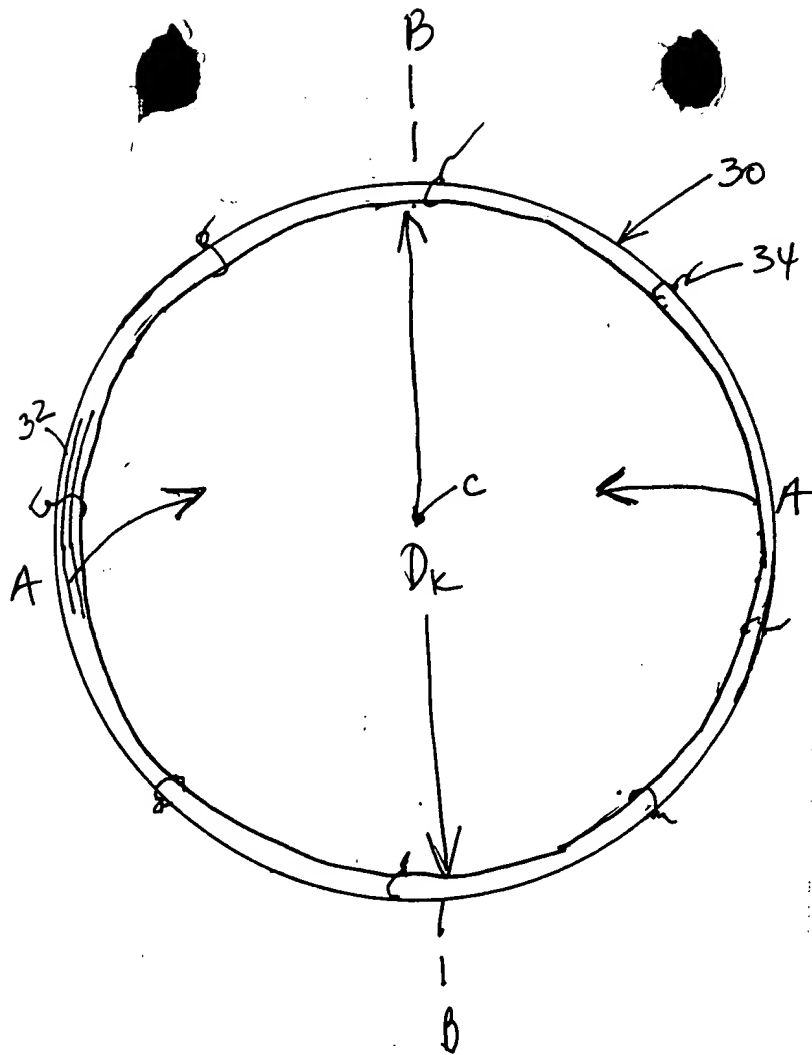


Fig. 1

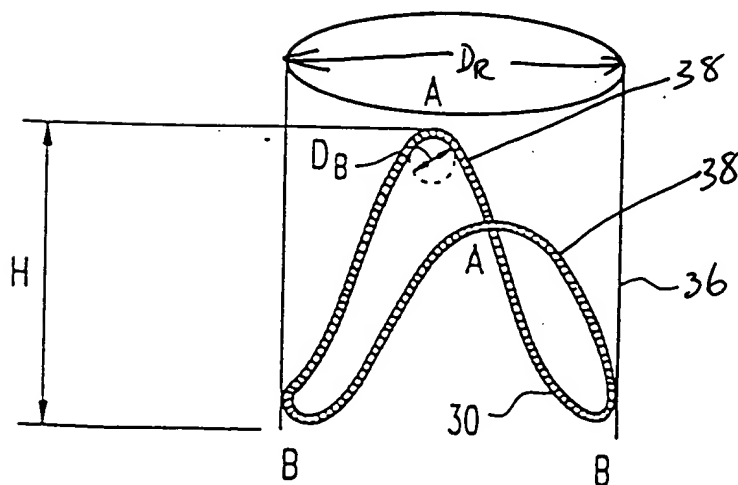


Fig. 2

SECRET

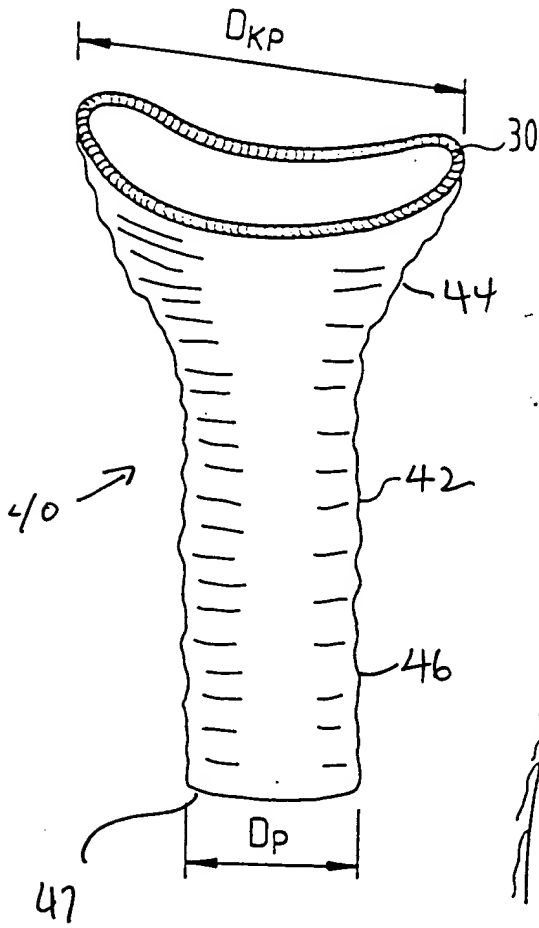


Fig. 3

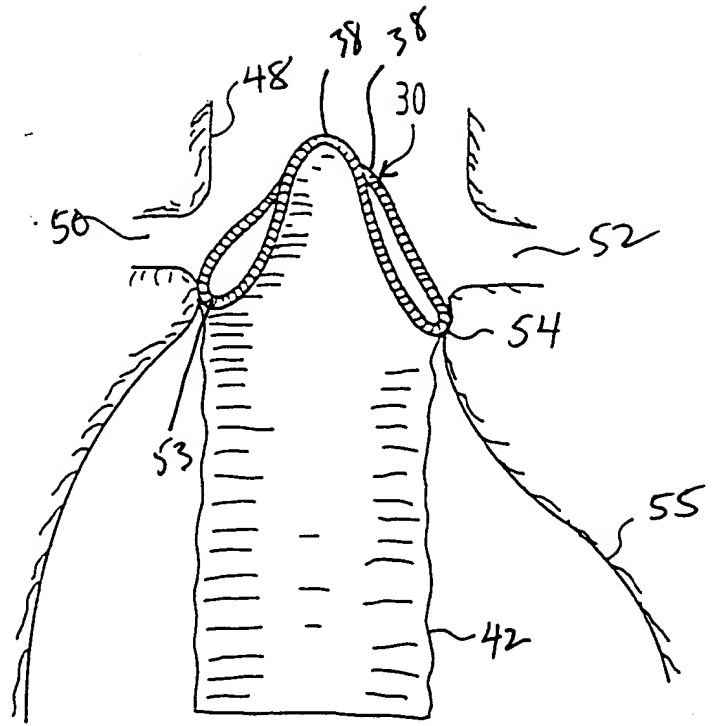


Fig. 4

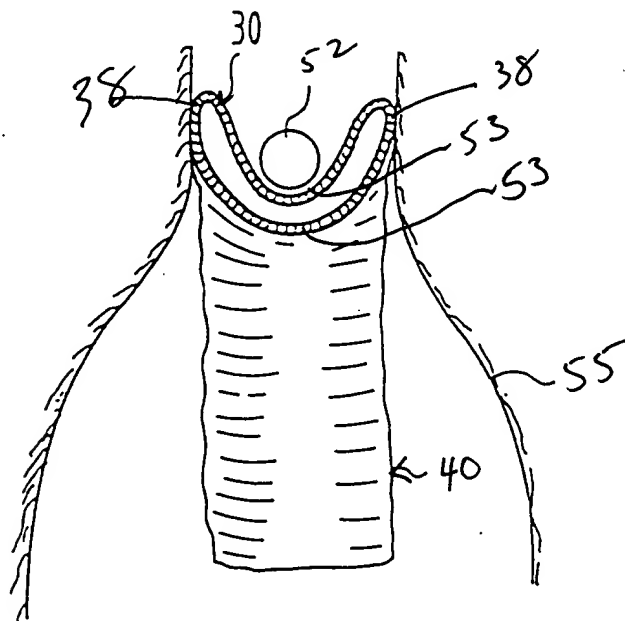


Fig. 5

2025 RELEASE UNDER E.O. 14176

AS PUBLISHED

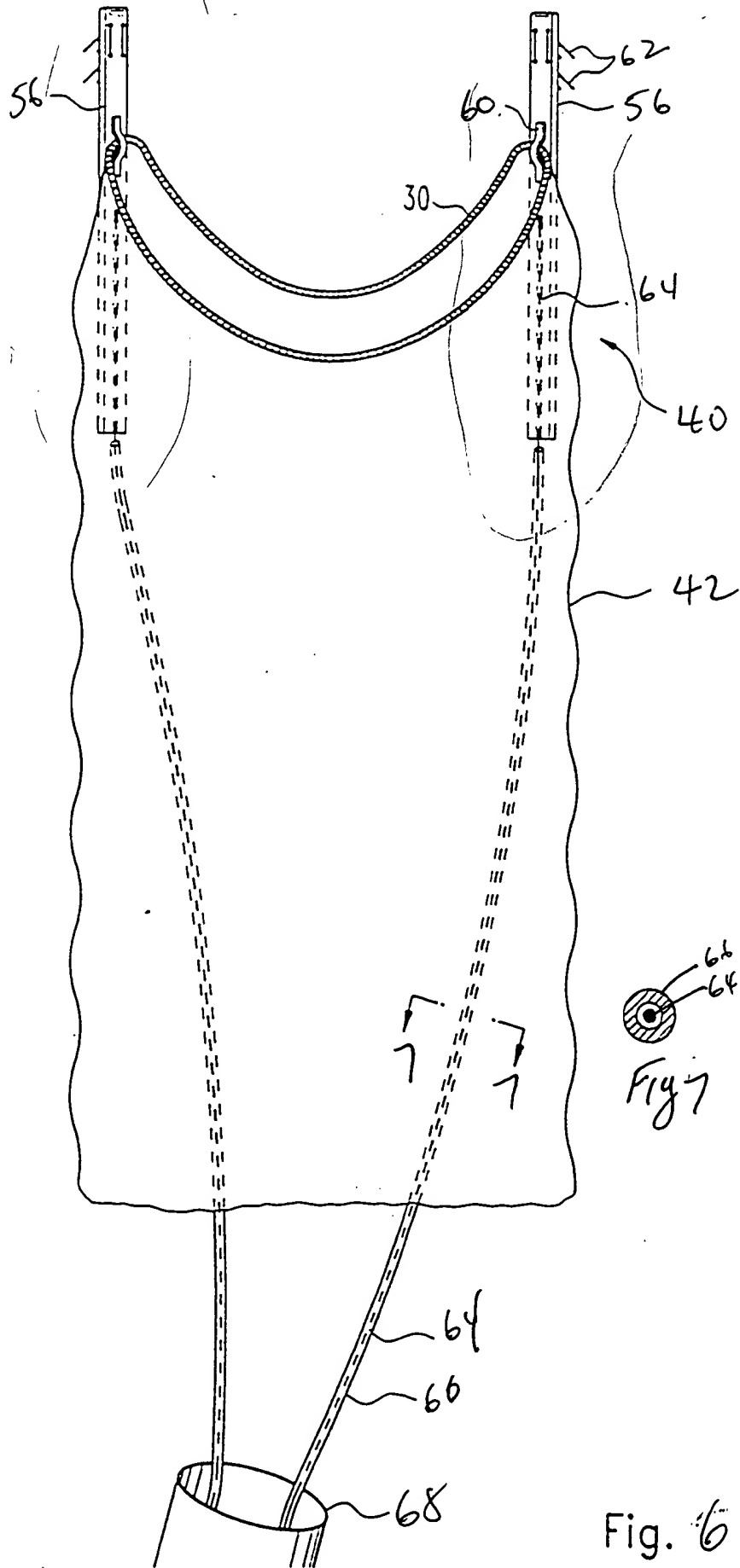


Fig. 6

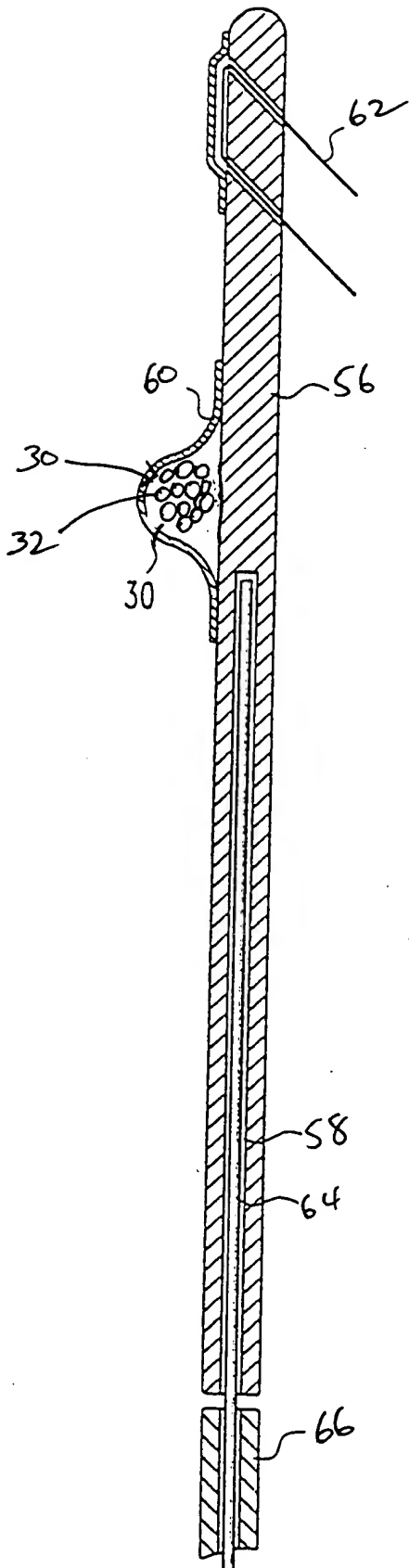


Fig. 10

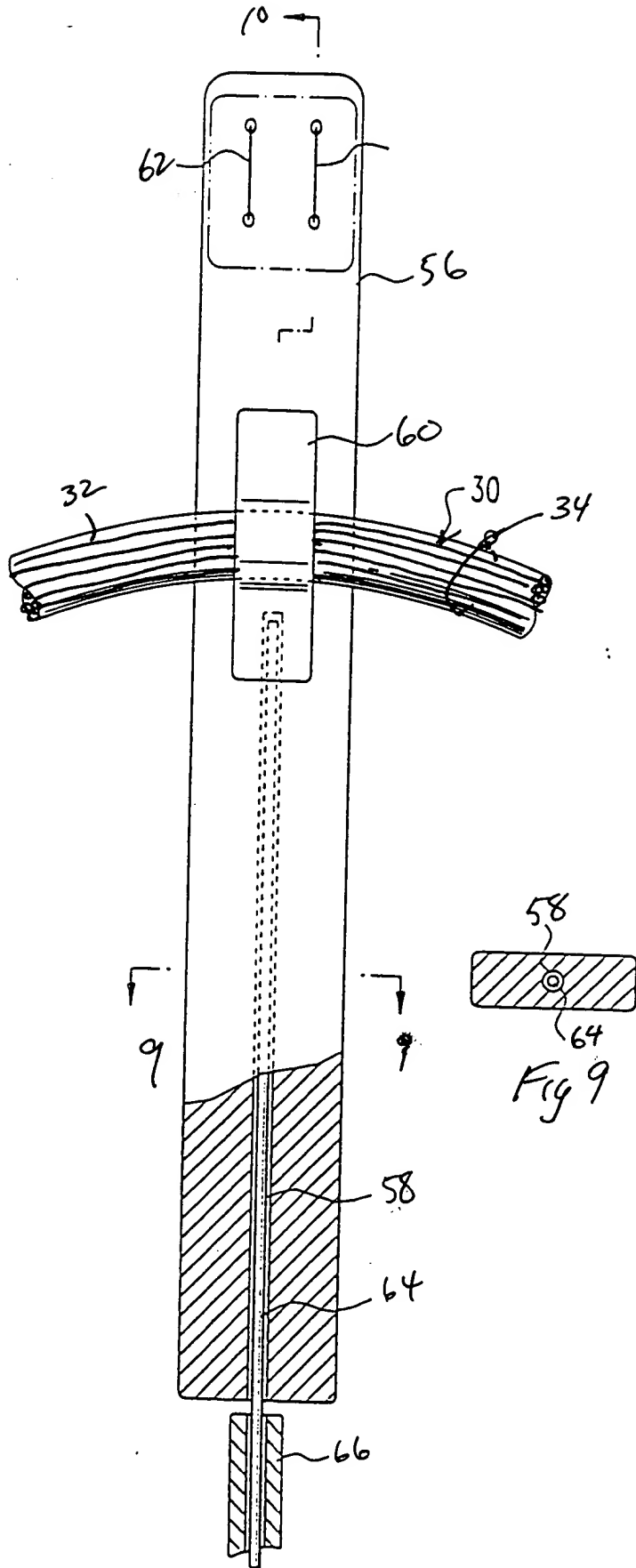


Fig. 8

PATENT OFFICE

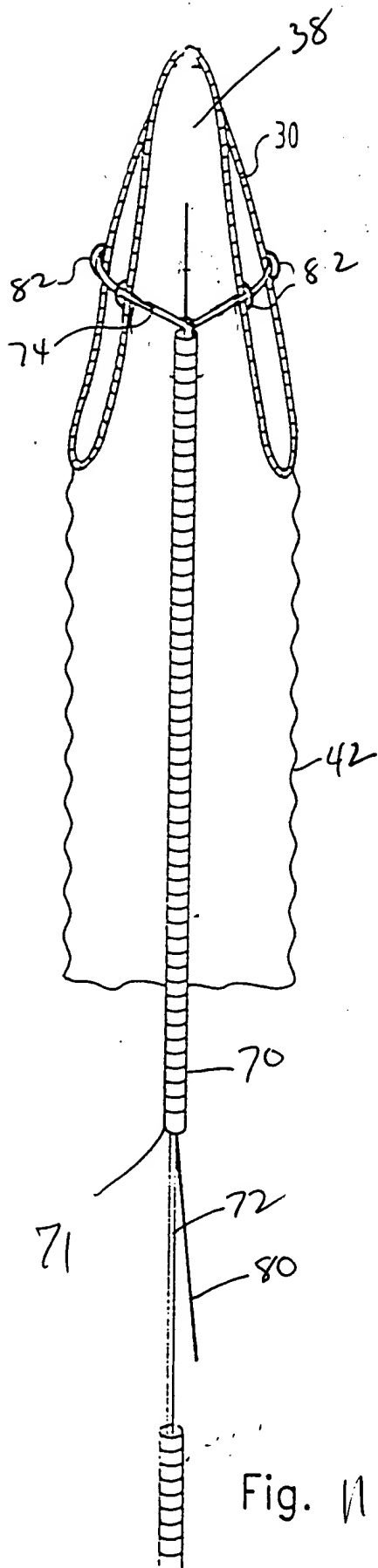


Fig. 11

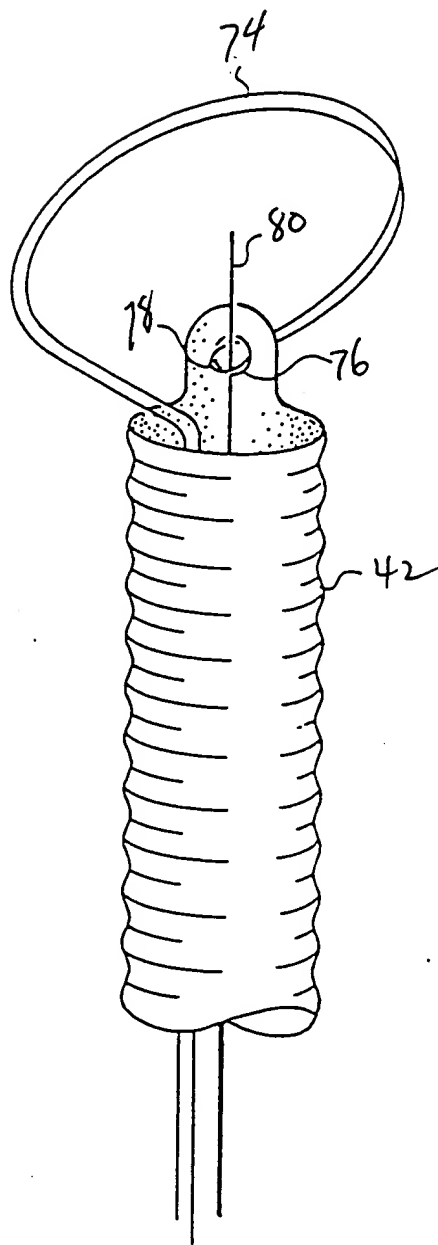


Fig. 12

APR 20 1968

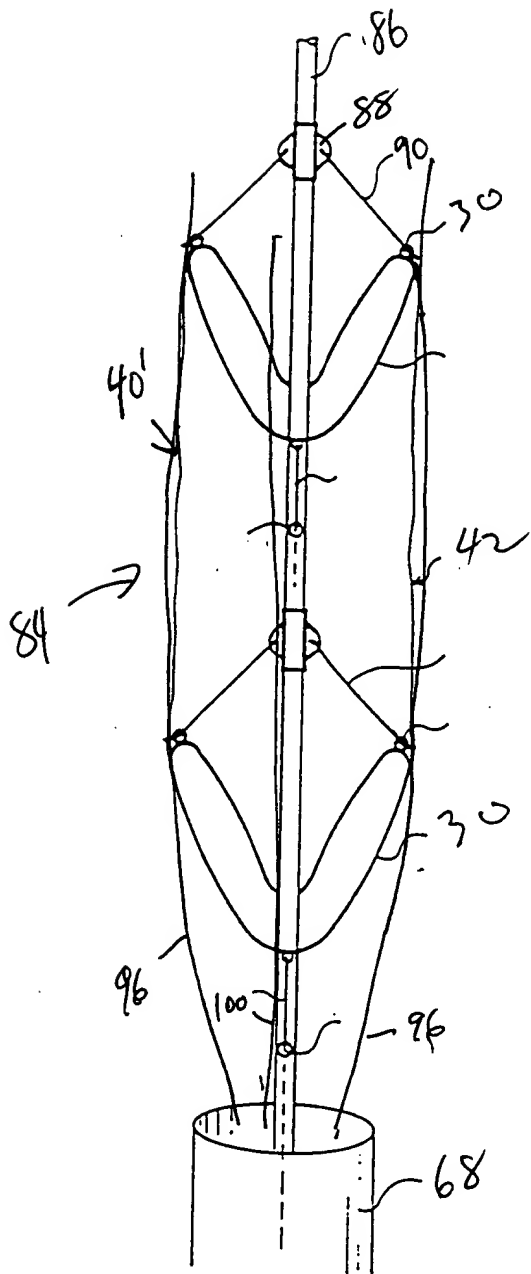


Fig. 13

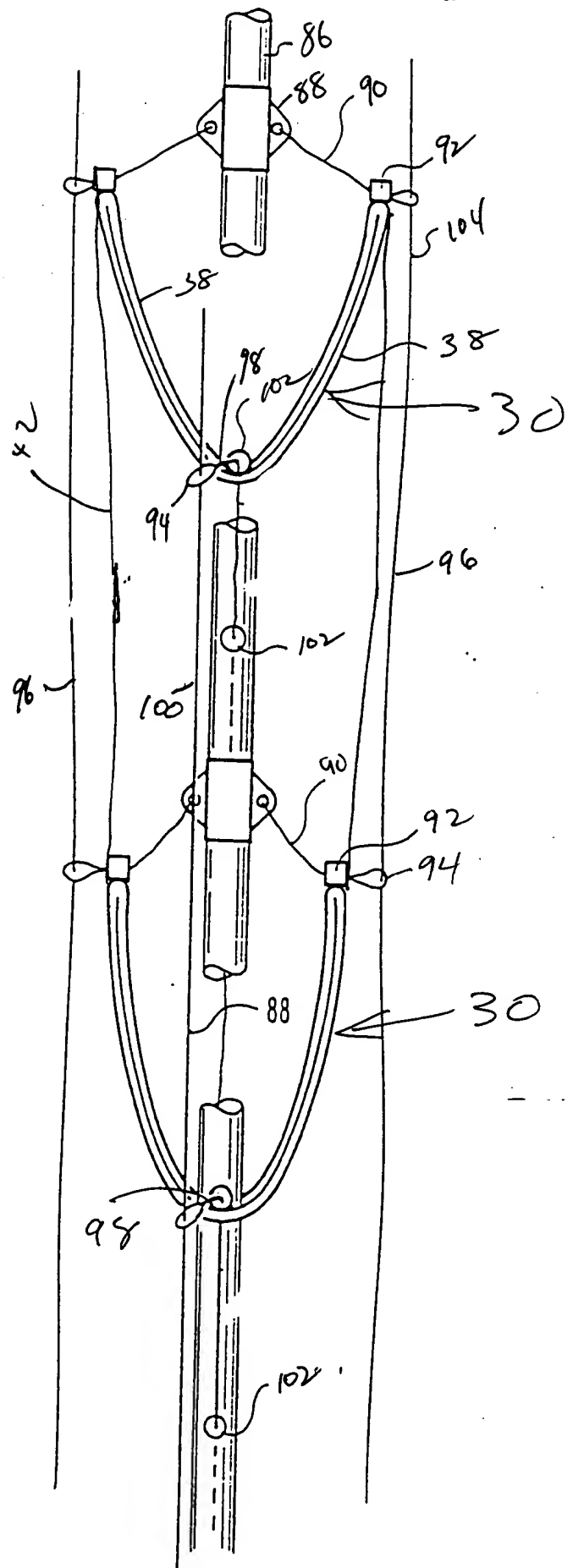
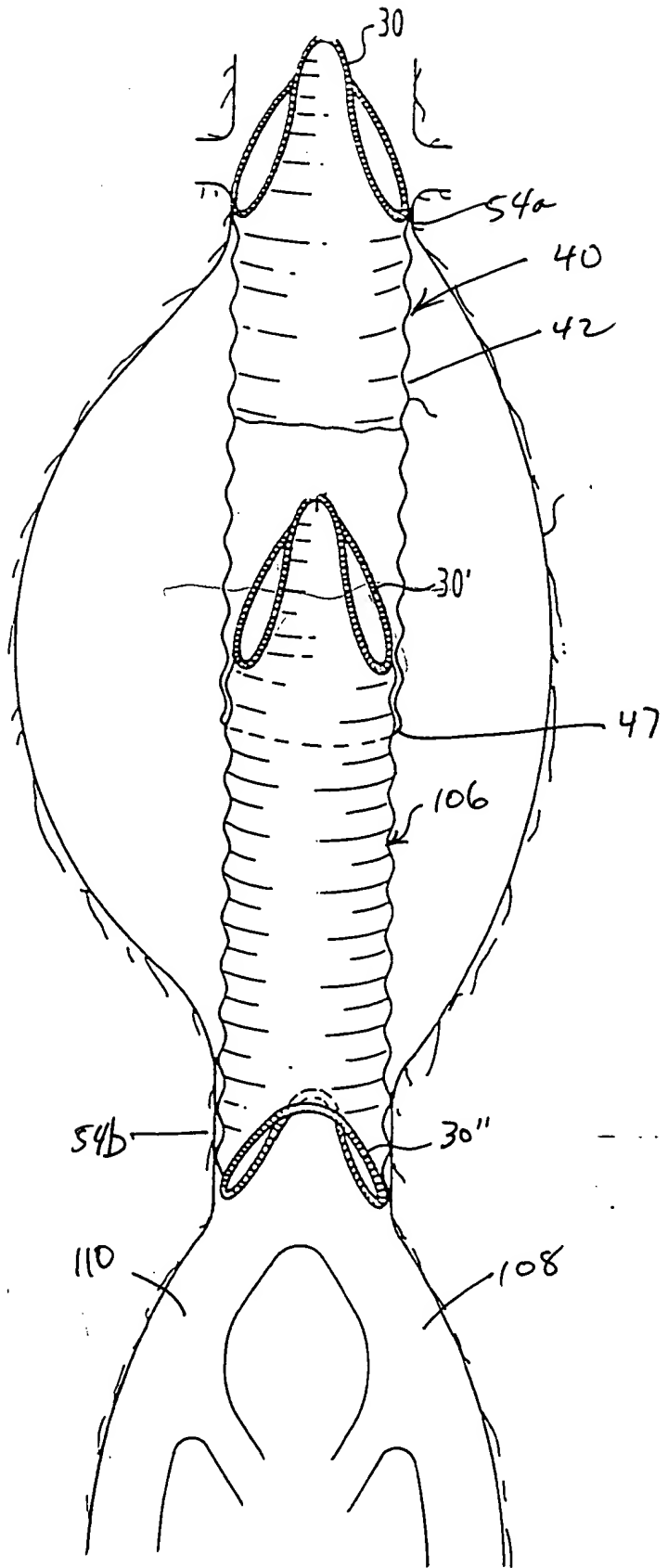
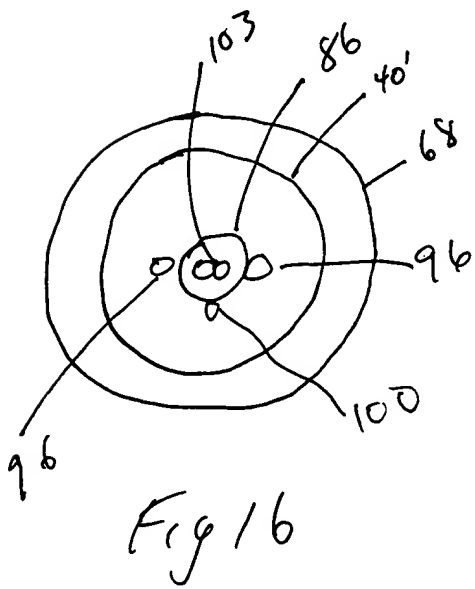
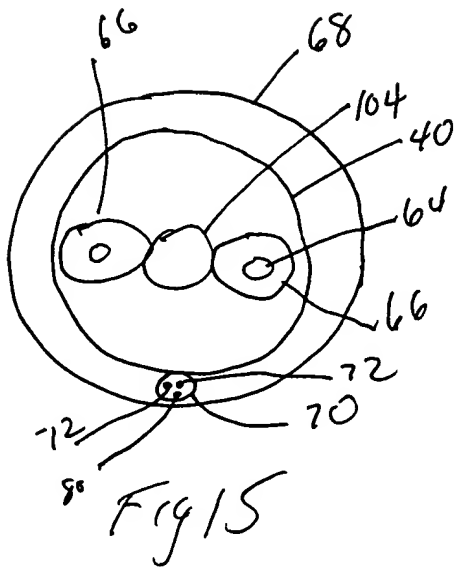
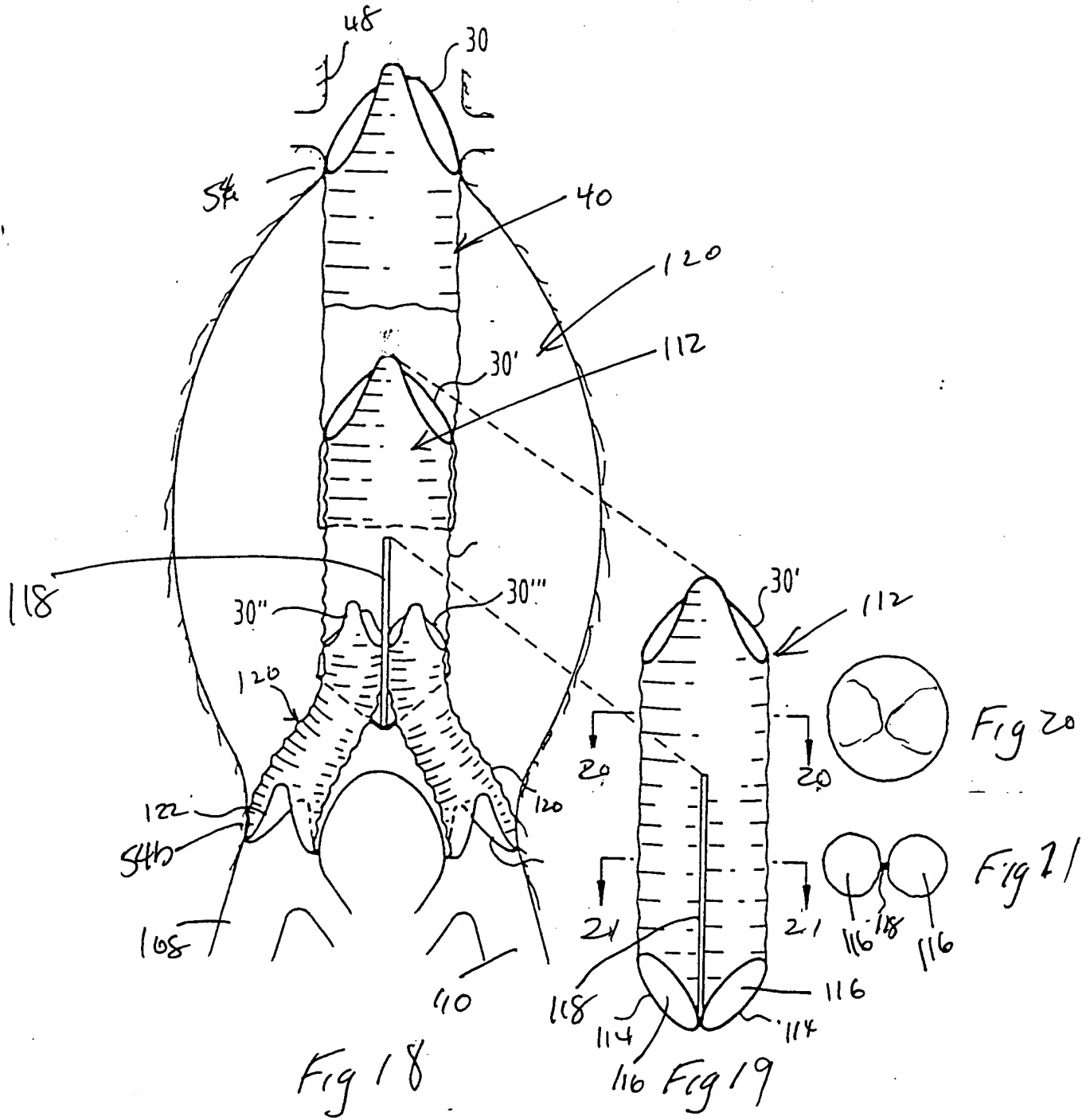


Fig. 14



165710 60622880

44790-00000000





257130-888288

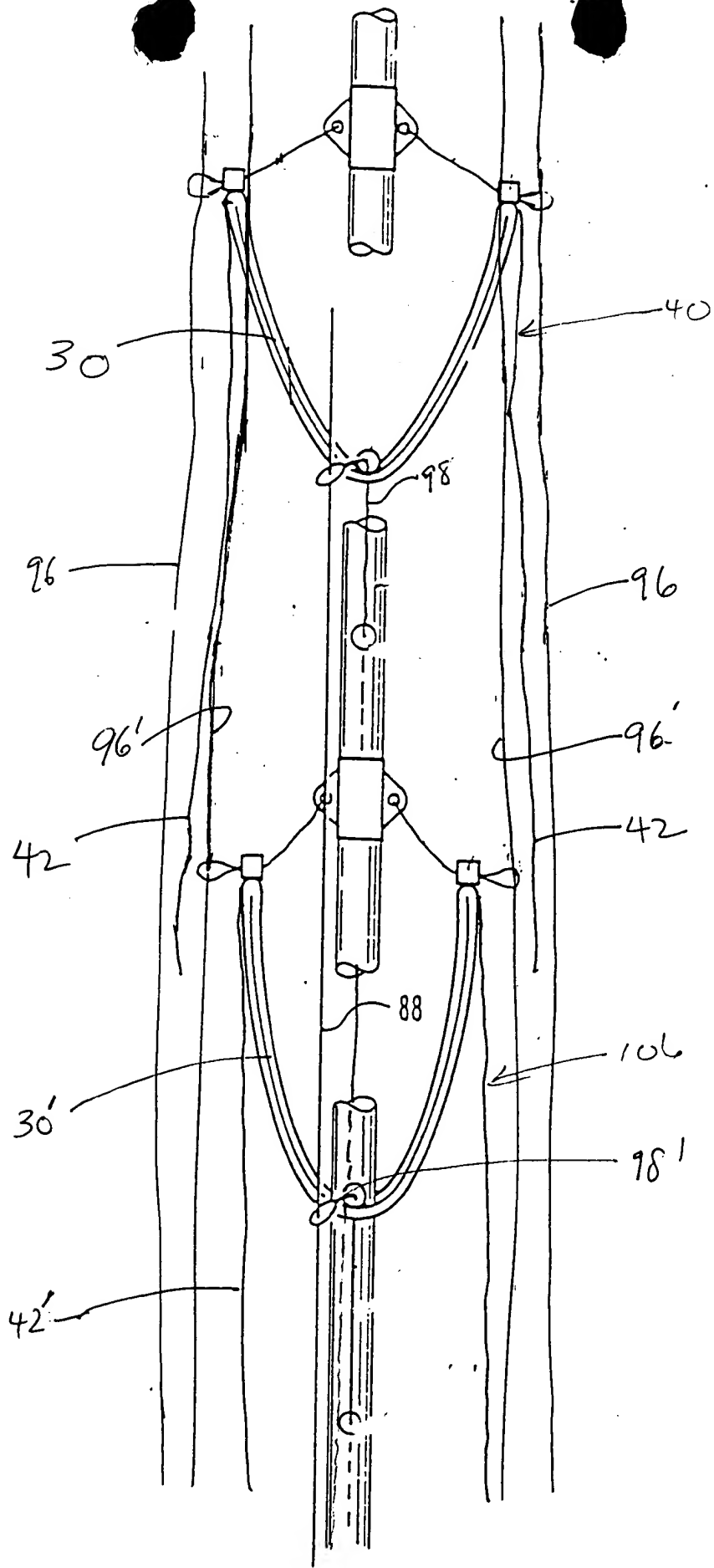


Fig 22

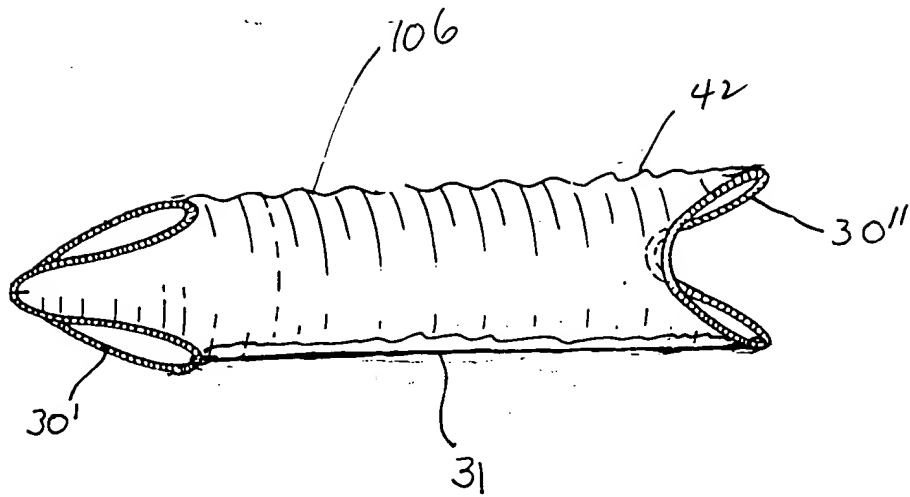


Fig 23

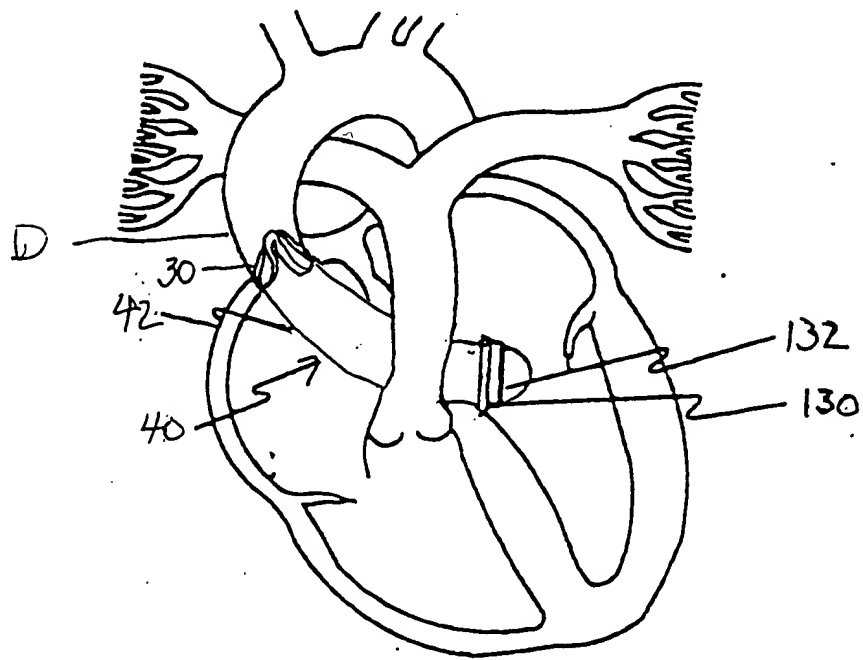


FIG. 24

REPRODUCED FROM THE ORIGINAL DRAWING